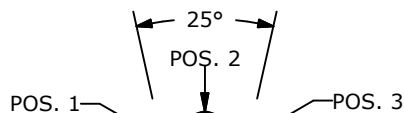
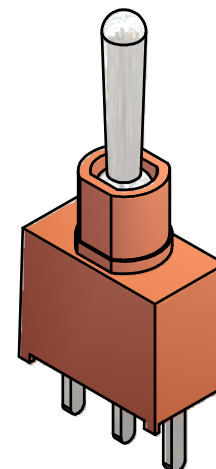
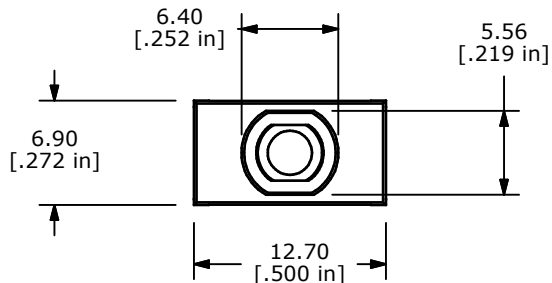
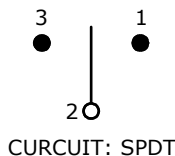
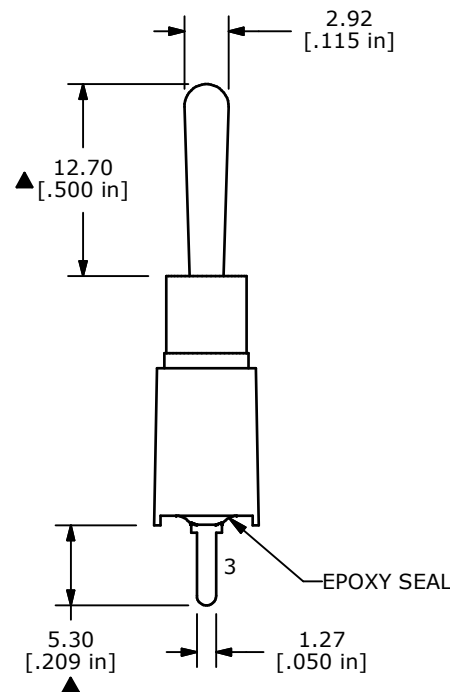
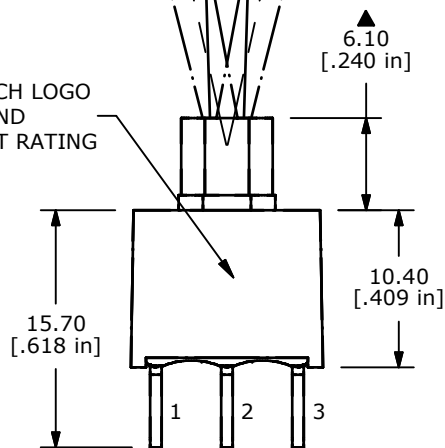


P.C.B. LAYOUT



E-SWITCH LOGO AND CURRENT RATING



SWITCH FUNCTION		
POS. 1	POS. 2	POS. 3
(ON)	OFF	(ON)
2-3	OPEN	2-1

(ON) = MOMENTARY

NOTE:

1. ALL DIMENSIONS IN MM [INCH]
2. GENERAL TOLERANCE: X.X=±0.4  
X.XX=±0.25
3. TERMINAL NUMBERS FOR REF ONLY
- ▲4. PLATING MATERIAL: GOLD
5. RATING: 0.4A @ 20V AC or DC
6. ELECTRIC LIFE: 30,000 MAKE-AND-BREAK CYCLES AT FULL LOAD.
7. INSULATION RESISTANCE: 1,000 MΩ MIN.
8. CONTACT RESISTANCE: 10mΩ MAX. @ 2-4VDC (INITIAL)
9. DIELECTRIC STRENGTH: 1,000 V RMS @SEA LEVEL.
10. OPERATING TEMP.: -30°C to 85°C
11. ▲ DENOTES CRITICAL PARAMETER.
12. 2002/95/EC (ROHS) COMPLIANT

TITLE 100AWSP4T1B4M2RE				
SCALE	DATE	DR	DWG	REV
	9/12/2012	EBP	T104000	B

B	20753	MOVE TO INVENTOR, CORRECT DIMS	9/12/12	EBP
A	13614	RELEASED FOR PRODUCTION	11/19/03	AR
REV	PCR NO	DESCRIPTION	DATE	BY
THE INFORMATION CONTAINED IN THIS DOCUMENT IS PROPRIETARY TO E-SWITCH AND IS NOT TO BE COPIED OR TRANSFERRED				